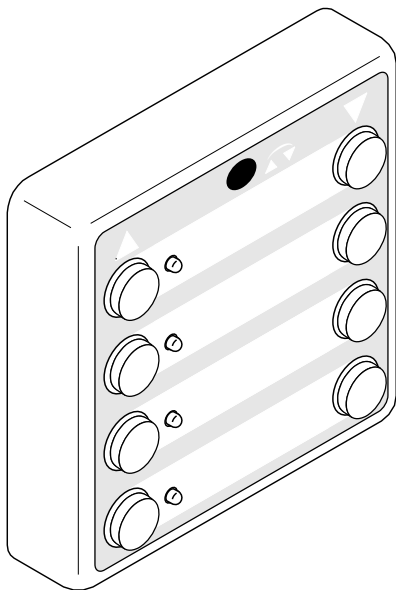




Display Panel LF 10-4B

for Ventilation Control VCM 1004



Application

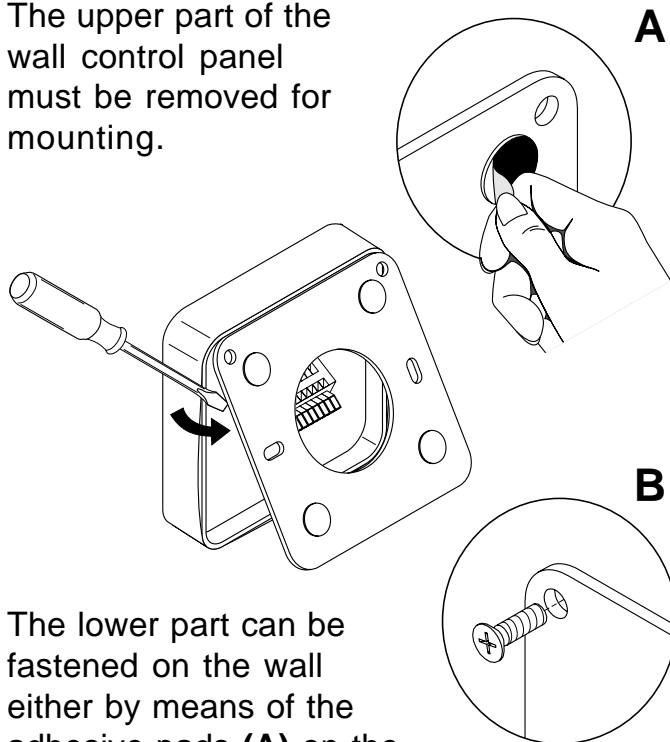
Wall control panel with integrated IR-receiver and four control levels for operating of ventilation control VCM 1004.

Mounting

Wall control panel including inscription set.

Mounting on Wall

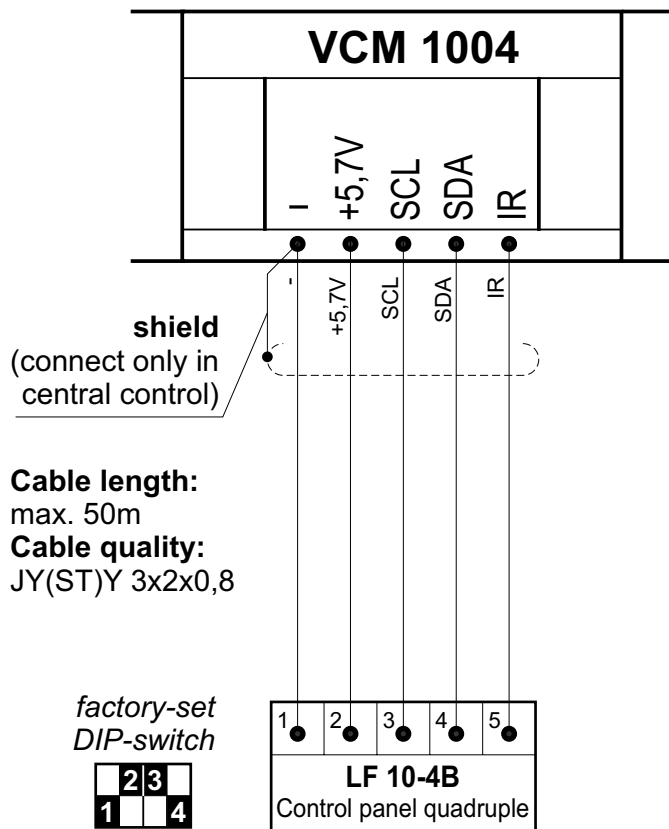
The upper part of the wall control panel must be removed for mounting.



The lower part can be fastened on the wall either by means of the adhesive pads (A) on the back side, or it can be fastened with screws (B).

The prepunched holes must be pushed through for screwing, if necessary, using a screw driver.

Connection



look for instruction for use VCM 1004

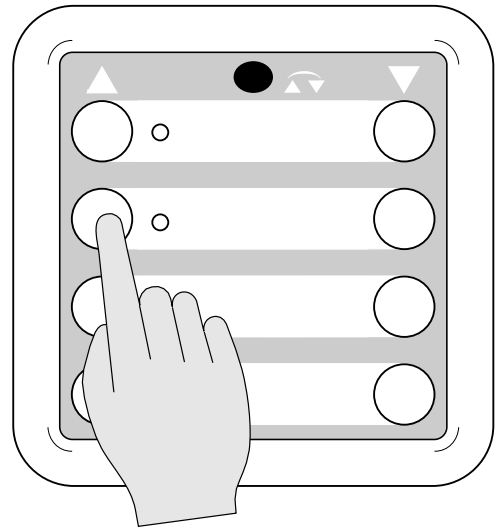
99.822.06 1.1/11/04

Control of Electric Drives

Opening:

Press button \triangle of level 1, 2, 3 or 4. Depending on configuration of the group, the electric drive will automatically run open up to its stop position after a single pressing or only as long as the button is pressed. The LED on the wall control panel will lighten.

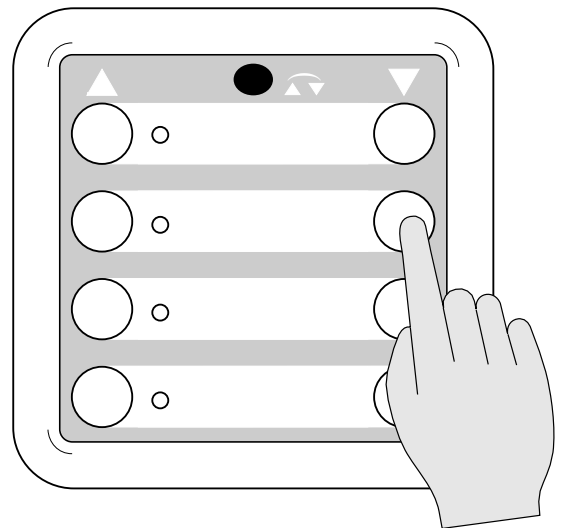
If a Variostat-heating control is connected as well, the radiator valve will additionally completely close. The yellow LED in the Variostat will lighten.



Closing:

Press button ∇ of level 1, 2, 3 or 4. Depending on configuration of the group, the electric drive will automatically close up to its stop position after a single pressing or only as long as the button is pressed. The LED on the wall control panel will be extinguished.

If a Variostat-heating control is connected as well, the radiator valve will additionally open up to the mechanical preadjustment. The yellow LED in the Variostat will be extinguished.



Stop (2x):

Press previous activated button \triangle or ∇ once more for stopping the drive in any intermediate position.

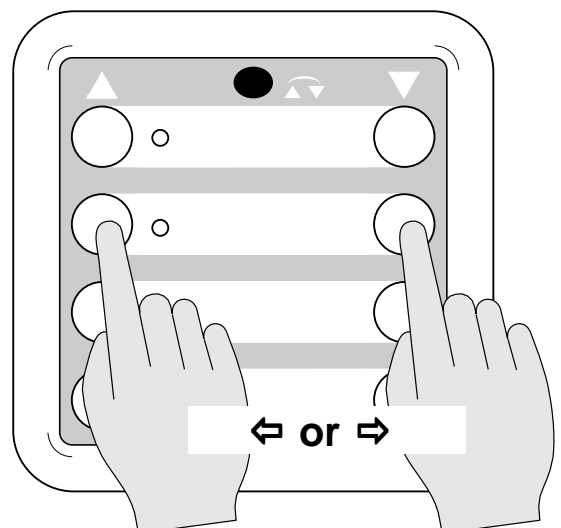
The electric drive will stop.

\triangle The LED lightens.

If a Variostat is connected, the radiator valve will remain closed.

∇ The LED is extinguished.

If a Variostat is connected, the radiator valve will completely close again. The yellow LED in the Variostat will lighten again.



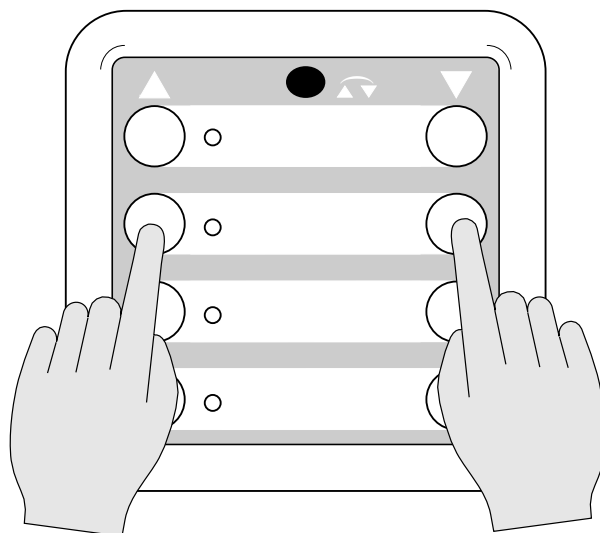
10 Minutes Ventilation (\triangle ∇):

By simultaneously pressing buttons \triangle and ∇ ventilation will be automatically carried out, limited to 10 minutes.

The LED will be flashing.

If a Variostat-heating control is connected as well, the radiator valve will additionally completely close for 10 minutes. The yellow LED in the Variostat will lighten.

Closing from this position is any time possible with button ∇ .



Control of Variostat VST

Heating Control:

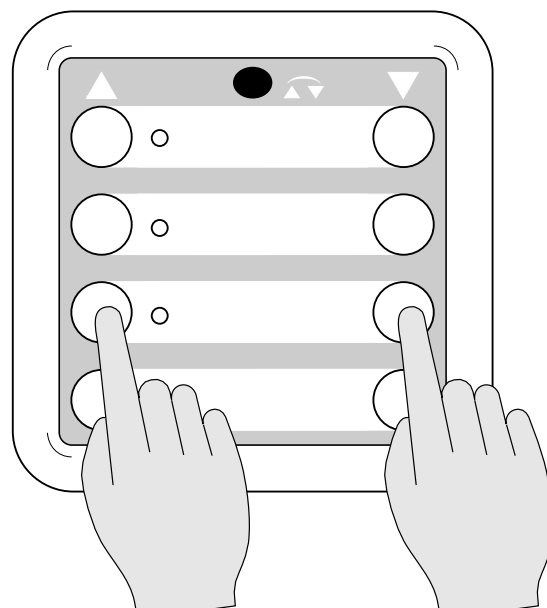
If a Variostat-heating control is connected on level 1, 2, 3 or 4, the heating control can be triggered with buttons \triangle and ∇ .

The temperature set at the heating radiator is decreased by about 6°C by pressing button ∇ .

The yellow LED at the Variostat heating control will be flashing.

By pressing button \triangle the decrease of temperature of the radiator is restored to former setting.

The yellow LED on the Variostat-heating control will no longer be flashing.



Absenkung **AUS**

Absenkung **EIN**

Guarantee

You will get **2 years** guarantee for all D+H products from date of verified handing over of the system up to maximal 3 years after date of delivery, when mounting and starting has been carried out by a D+H authorized **distributor**.

D+H guarantee is expired, with connection of D+H components with external systems or with mixing of D+H products with parts of other manufacturers.

