

Sales Release

VCD 203

VCD 203

© 2014 D+H Mechatronic AG, Ammersbek

The low-cost ventilation professional



- » Compact design
- » Especially quiet operating noise
- » 200 N force of pressure with stroke up to 250 mm

Created: PM / February 2014

Availability

- » Can be ordered starting: **March 3, 2014**
- » Can be delivered starting: **March 17, 2014**

Sales Release

VCD 203

VCD 203

© 2014 D+H Mechatronic AG, Ammersbek

Created: PM / February 2014

Product highlights at a glance

VCD Series

- » Supplement to the VCD Series
- » Ventilation professional with state-of-the-art motor electronics
- » The same convenience in a smaller housing

Timeless, elegant design

- » Elegant silhouette due to clear lines
- » Typical Ventic contour
- » Slim design

Integrated convenience comes standard

- » Active and passive closing edge protection
- » Relief of pressure on window gasket
- » Ability to program an infinitely variable stroke length with a solenoid
- » Pluggable cable connection
- » Especially quiet operating noise due to continuous motor monitoring
- » Can be configured via SCS thanks to PLP technology (stroke, force, speed, etc.)

Tandem drive with TMS+ function

- » Tandem safety function for up to 2 drives
- » Programmed opening stroke is transmitted to the tandem drive
- » Safety cut-off for both drives in case of failure or overload (active anti-trap protection)
- » BRV signal for ERM 44 or VLD via TMS+ cable

Price advantage compared to VCD 22

- » Complete, functional replacement for VCD 22/25
- » Technical progression and outstanding price/performance ratio (49€ price advantage)
- » Smaller housing than the VCD 22 (up to 250 mm stroke)

Innovative VCD Series bracket solutions

- » Compatible with VCD 204 and VCD-S brackets
- » Covered chain mounting
- » No visible bracket screws and metal parts thanks to covers

Available options

- » -SA signal "OPEN"
- » -SZ signal "CLOSED"
- » -SGI position transmitter for SE 622

Sales Release

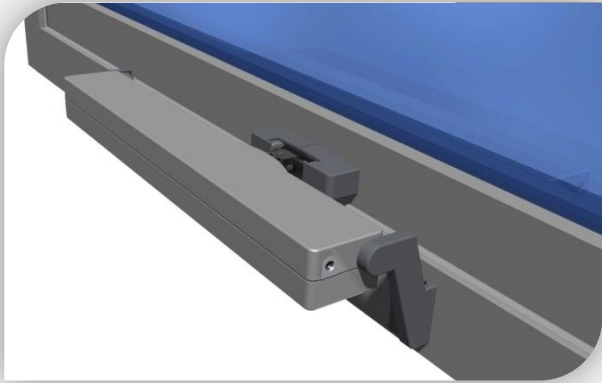
VCD 203

VCD 203

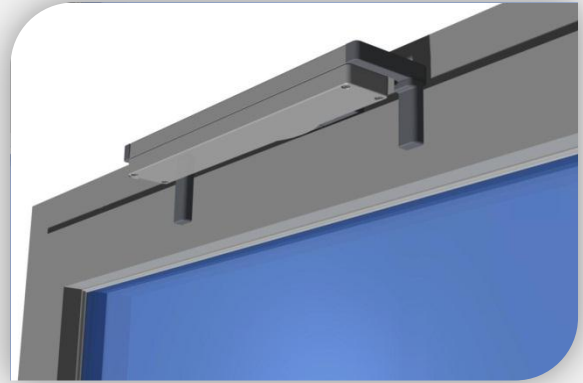
© 2014 D+H Mechatronic AG, Ammersbek

Created: PM / February 2014

Examples of installation and application



Frame mounting, outward-opening



Sash mounting, inward-opening

Façade and roof windows in residential buildings



Bottom-hung, top-hung or side-hung windows in office and administration buildings



Sales Release

VCD 203

VCD 203

© 2014 D+H Mechatronic AG, Ammersbek

Technical Data			
VCD 203			
Power Supply	24 V DC ± 20 %		
Nominal current	0.35 A		
Nominal Pressure	200 N		
Nominal tensile force	150 N		
Nominal locking force	2,000 N		
Runtime-OPEN	5 mm/s (at nominal load)		
Runtime-CLOSED	6 mm/s or 5 mm/s in safety area		
Service life	> 10,000 double strokes		
Temperature range	0 °C ... +60 °C		
Connection	2.5 m PVC cabel		
Drive	Push link chain		
Colour	Silver ~ RAL 9006	White ~ RAL 9016	Black ~RAL 9005
Housing	zinc-diecasting		
Type of protection	IP 30		
Dimensions WxHxD	300 x 30 x 47 mm		
Weight	app. 1.1 kg		

VCD 22 discontinuation

- » VCD 22 will be discontinued permanently in Summer 2014 and only a few are still available. Please contact our employees in Sales if you have any questions.

Planning documents/Sales information

- » The 2D CAD data can be accessed in myD+H starting March 3, 2014 in the "CAD drawings" category. A CAD file with all bracket solutions is now available for the VCD Series. You can find the drilling dimensions along with the known bracket layouts for VCD 203, VCD 204 and VCD-S drives there.
- » The VCD Series folder (VCD 203 and VCD 204) can be ordered under the order number 99.701.77 starting March 3, 2014.

Created: PM / February 2014

Sales Release

VCD 203

VCD 203

Scope of supply for the drive

- » VCD 203 chain drive
- » 2.5 m connection cable (pluggable)
- » Instruction for use

Pricelist Drives

Art.-Nr.	Type	Description	Price
25.150.05	VCD 203/250	PLP ventilation chain drive, 24 V, 200 N, 250 mm, silver	116.00 €
25.150.06	VCD 203/250	PLP ventilation chain drive, 24 V, 200 N, 250 mm, white	128.00 €
25.150.07	VCD 203/250	PLP ventilation chain drive, 24 V, 200 N, 250 mm, black	128.00 €
25.150.00	VCD 203/250	PLP ventilation chain drive 24 V, 200 N, custom-made (base)	137.00 €
		5 - 9 pcs.	130.00 €
		10 - 19 pcs.	123.00 €
		≥ 20 pcs.	116.00 €
		• -CP customized drive function programming	30.00 €
		• -HP stroke programming	8.00 €
		• -SGI position indicator for SE 622	19.00 €
		• -SA OPEN indication	21.00 €
		• -SZ CLOSED indication	21.00 €
		• Longer cable per additional 2.5m	8.00 €
		• Housing colour silver	0.00 €
		• Housing colour white	12.00 €
		• Housing colour black	12.00 €
		• Special RAL colour *	25.00 €

© 2014 D+H Mechatronic AG, Ammersbek



Created: PM / February 2014

Sales Release

VCD 203

VCD 203

© 2014 D+H Mechatronic AG, Ammersbek

Scope of supply and prices for bracket sets

» Brackets will be delivered with all parts needed for mounting and are identical to the existing ones of the VCD 204 and VCD-S

Art.-Nr.	Type	Description	Price
25.CAB.KS	VCD-BS001-VSI	VCD bracket set, sash mounting, inwards opening, silver	44.00 €
25.CAC.KS	VCD-BS001-VSI	VCD bracket set, sash mounting, inwards opening, white	44.00 €
25.CAA.KS	VCD-BS001-VSI	VCD bracket set, sash mounting, inwards opening, black	44.00 €
25.CAE.KS	VCD-BS004-VFI	VCD bracket set, frame mounting, inwards opening, silver	28.00 €
25.CAF.KS	VCD-BS004-VFI	VCD bracket set, frame mounting, inwards opening, white	28.00 €
25.CAD.KS	VCD-BS004-VFI	VCD bracket set, frame mounting, inwards opening, black	28.00 €
25.CAH.KS	VCD-BS007-VFO	VCD bracket set, frame mounting, outwards opening, silver	28.00 €
25.CAJ.KS	VCD-BS007-VFO	VCD bracket set, frame mounting, outwards opening, white	28.00 €
25.CAG.KS	VCD-BS007-VFO	VCD bracket set, frame mounting, outwards opening, black	28.00 €
25.BAD.KS	VCD-BS008-VFO	VCD bracket set, frame mounting, outwards opening NEW	28.00 €
25.BAK.KS	VCD-BS010-VFO	VCD bracket set, for Schüco® Royal S 88 D, AWS 57 RO, silver	28.00 €
25.BAE.KS	VCD-BS014-VFO	VCD bracket set, for Reynaers® CR 120, silver	28.00 €
25.BAF.KS	VCD-BS015-VFO	VCD bracket set, for Schüco® Royal S 106 D, silver	28.00 €
25.BAG.KS	VCD-BS016-VFO	VCD bracket set, for Schüco® Royal S 47 D, silver	28.00 €
25.CAK.KS	VCD-BS017-VSI	VCD bracket set, for Raico® FRAME+ 75, 90 WI, sash mounting, black	44.00 €
25.CAL.KS	VCD-BS017-VSI	VCD bracket set, for Raico® FRAME+ 75, 90 WI, sash mounting, silver	44.00 €
25.CAM.KS	VCD-BS017-VSI	VCD bracket set, for Raico® FRAME+ 75, 90 WI, sash mounting, white	44.00 €
25.CAN.KS	VCD-BS018-VFI	VCD bracket set, for Raico® FRAME+ 75, 90 WI, frame mounting, black	28.00 €
25.CAP.KS	VCD-BS018-VFI	VCD bracket set, for Raico® FRAME+ 75, 90 WI, frame mounting, silver	28.00 €
25.CAR.KS	VCD-BS018-VFI	VCD bracket set, for Raico® FRAME+ 75, 90 WI, frame mounting, white	28.00 €
25.CAS.KS	VCD-BS019-VFO	VCD bracket set, for Raico® FRAME+ 75 WA, frame mounting, black	28.00 €
25.CAT.KS	VCD-BS019-VFO	VCD bracket set, for Raico® FRAME+ 75 WA, frame mounting, silver	28.00 €
25.CAU.KS	VCD-BS019-VFO	VCD bracket set, for Raico® FRAME+ 75 WA, frame mounting, white	28.00 €
25.BVC.KS	VCD-BS/C	VCD bracket set, with special RAL colour *	o.r.

All prices are gross prices excluding VAT (price list)!

Given prices are valid until release of price list

* Special colour

Basic price for special powder coating is 50,- Euro net per colour and order. This basic price will be charged is based on special coating of drives. For finishing the brackets with a special colour an additional charge of 50,-Euro net will be applied. ATTENTION: Slight differences in colour between finishing and powder coating are inevitable.

The prices apply exclusively to powder coating according to colour register RAL CLASSIC (colour cases RAL-K5). In case of powder coating with special colour, for example DB or NCS, additional costs will be charged according to complexity. On the myD+H platform you can find the planning information "special colours for drives" with all information concerning to the colour of plugs and cables.

Created: PM / February 2014