

Sales Release

CDC-0252-1-ACB

CDC-0252-1-ACB



- » Perfectly suitable for integrated and surface mounted installation
- » Low operating noise due to innovative, acoustic decoupling of drive components
- » Direct integration of drives due to open BUS communication via ACB for example in BMS
- » Strong motor gearbox with increased power up to 400 N in „O1” and “C1” (optional)

Availability

- » **orderable at:** 29.08.2016
- » **deliverable at:** 31.08.2016

Sales Release

CDC-0252-1-ACB

Product highlights at a glance

USP's

- » Low operating noise of only **35 dB(A)** (emission sound pressure level)
- » Integrated BUS interface ACB based on RS 485 hardware with Modbus protocol
- » Accurate positioning of drives via ACB
- » High precise synchronised electronics for parallel running of up to 8 drives
- » Flexible installation length for customized stroke

Timeless, elegant design

- » Elegant silhouette due to clear lines
- » Design accents of the acoustic performance
- » High quality powder-coating in RAL 9006 (standard)
- » RAL colour coating for perfect integration in facades

Comfort already in standard

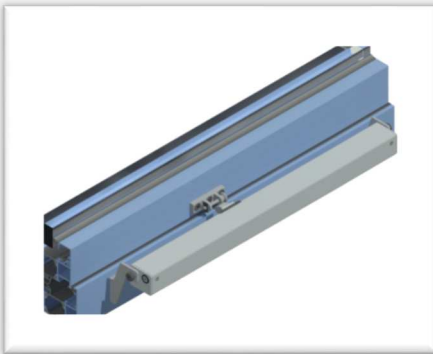
- » Integrated, individual programmable electronic shut-down device to prevent a failure in the event of an overload on the window and drive
- » Adjustable, multi-stage anti-trap protection system (runtime, force, stroke)
- » Gasket protection thanks to the automatic relief of pressure on window gasket after closing process
- » Connection from either left or right side is possible (power supply including Bus communication)
- » Customized configuration possible via D+H Software SCS
- » Low wiring effort with an option of looping in up to 3 drives
- » High-speed function (HS) for opening windows especially fast in case of fire (SHEV)
- » Corrosion protected, hardened steel chain with rigid backing and lifetime lubrication
- » Use of all existing CDC bracket sets

Sales Release

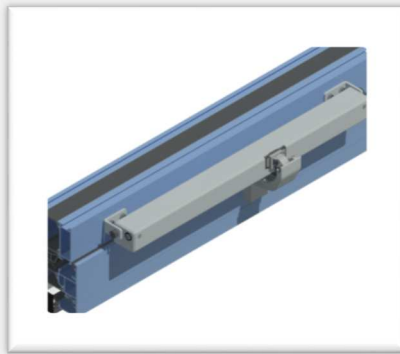
CDC-0252-1-ACB

Mounting example

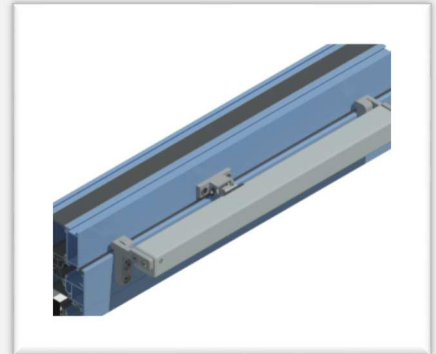
frame mounting, outwards



frame mounting, inwards



sash mounting, inwards



CDC-0252-1-ACB

Technical data

	CDC-0252-0350-1-ACB	CDC-0252-0500-1-ACB	CDC-0252-0600-1-ACB	CDC-0252-0800-1-ACB
Rated voltage	24 V DC ± 15 %			
Rated current	0.6 A	0.8 A		1.0 A
Force of pressure	250 N			
Tensile force	250 N			
Nominal locking force	1500 N			
Nominal stroke length	350 mm ± 2 %	500 mm ± 2 %	600 mm ± 2 %	800 mm ± 2 %
OPEN running speed	6.7 mm/s			
OPEN running speed - SHEV	< 55 s			
CLOSED running speed	6.7 mm/s or resp. 5 mm/s in safety range			
Service life	> 10,000 double strokes			
Temperature range	-5 °C ... +75 °C			
Sound pressure level	LpA = 35 dB(A)			
Connection	2.5 m silicone cable			
Opening mechanics	corrosion protected, hardened steel chain with rigid backing and lifetime lubrication			
Housing colour	white aluminium ~ RAL 9006			
Housing material	aluminium			
Type of protection	IP 32			
Dimensions (WxHxD)	405 x 30 x 35 mm	485 x 30 x 35 mm	530 x 30 x 35 mm	635 x 30 x 35 mm
Weight	approx. 1.1 kg	approx. 1.2 kg	approx. 1.3 kg	approx. 1.5 kg

© 2016 D+H Mechatronic AG

Created: PM / August 2016

Sales Release

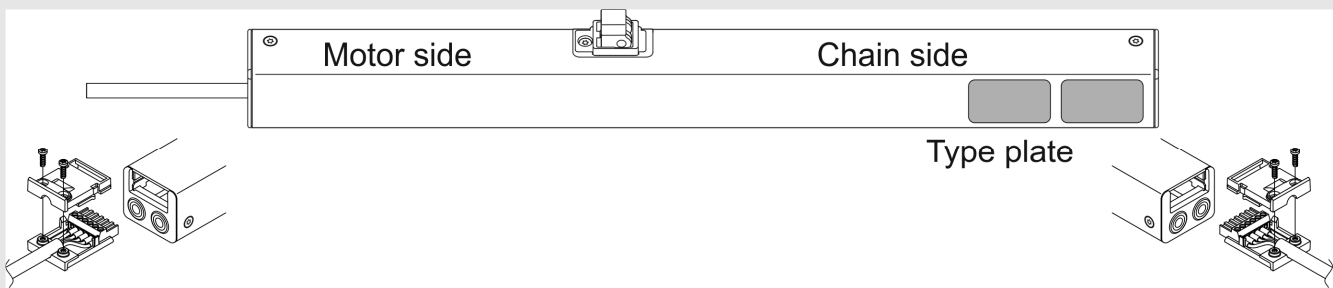
CDC-0252-1-ACB

CDC-0252-1-ACB

Power supply of the CDC-0252-1-ACB

The power supply is done by a 6-strands silicone connection cable with a length of 2.5 m. In this cable the power supply as well as the communication lines for ACB and BSY+ are integrated.

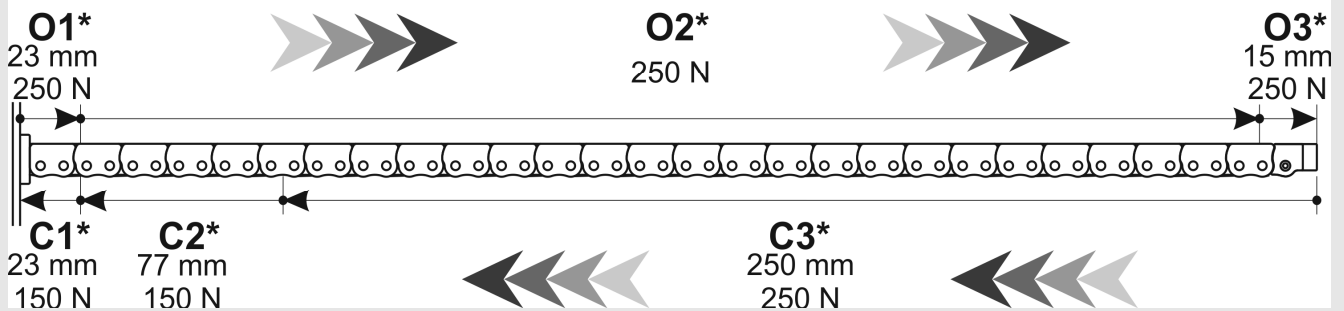
Using the supplied system connector it is comfortable to connect from the motor or the chain side. It is also possible to loop through 3 drives.



Opening and closing range

The CDC-0252-1-ACB has three opening and closing ranges. The opening ranges are marked with „O1 - O3“. „O“ stands for OPEN. The closing ranges are marked with „C1 - C3“. „C“ stands for CLOSE.

Opening and Closing Ranges



*Each range can be configured via D+H Software SCS (from version 1.7.2 on) for the individual application.

© 2016 D+H Mechatronic AG

Created: PM / August 2016

Sales Release

CDC-0252-1-ACB

CDC-0252-1-ACB

Type plate

The diagram shows a type plate with the following fields and labels:

- Stroke**: Points to the '0600' in the type code.
- Version**: Points to the '0252' in the type code.
- Force (x factor 10)**: Points to the '025' in the type code.
- Rated voltage**: Points to the '24V' in the supply specification.
- Technology**: Points to 'ACB' in the type code.
- Coding**: Points to 'M1' in the type code.
- Design**: Points to 'R' in the type code.
- Type**: Points to the entire type code 'CDC-0252-0600-1-ACB M1-R'.
- Supply**: Points to 'IN: 24V/19,2W/0,8A'.
- DC voltage**: Points to '24V' in the supply specification.
- Nominal pressure**: Points to 'OUT: 250N'.
- Temp. range**: Points to 'Temp. -5...+75°C'.
- Article no.**: Points to '26.101.05-31,16'.
- Protection class**: Points to 'IP 32'.
- Protective system**: Points to 'IP 32'.
- Feedback no.**: Points to '494784'.
- Date**: Points to '2016' in the company name.
- High duty cycle**: Points to 'ED=3min'.

© 2016 D+H Mechatronic AG

The information on the type plate are comprised of as follows:

- Type**
 - » CDC
- Force**
 - » 025 (x factor 10; 025 x 10 = 250 N)
- Stroke**
 - » 0600 = 600 mm (0350 = 350 mm; 0500 = 500 mm; 0800 = 800 mm)
- Rated voltage**
 - » 1 = 24 V DC (5 = 230 V AC)
- Technology**
 - » ACB = Advanced Communication Bus
- Coding**
 - » M1 = Master 1 (S1 = Slave 1; M2 = Master 2)
- Design**
 - » R = right version
- Protection class**
 - » Protection class 3 (EN 61140)
- Type of protection**
 - » IP 32 (DIN EN 60529)
- Feedback no.**
 - » Internal product reference number
- High duty cycle**
 - » ED = 3 min (ON 3 min. / OFF 7 min.)

Created: PM / August 2016

Sales Release

CDC-0252-1-ACB

Date

- » Week and year of production

Article no.

- » D+H article number

Temp. range

- » -5 °C...+75 °C (temperature range for the intended use of the product)

Nominal pressure

- » 250 N

DC Voltage

- » Detail of electric voltage

Supply

- » Detail to the supply of the product (24 V DC; 19.2 W; 0.8 A)

Options CDC-0252-1-ACB

The following options are available for the CDC-0252-1-ACB:

- » Stroke length: 350; 500; 600; 700; 800; 900; 1000; 1100; 1200; 1300 mm
- » L = left version
- » R = right version
- » SBD / SBU = side bow chain
- » HV = shortened stroke incl. tube (HV only possible in steps of 50 mm stroke)
- » OA = object-specific adaptation (includes special programming and change to construction dimension)
- » CP = customized drive function programming (D+H Software SCS scope)
- » HP = stroke programming
- » VP = signal programming for connection with BSY+ locking drives
- » KM = strong motor gearbox with increased power up to 400 N in „O1” and “C1”
- » LS = low-speed programming in CLOSE direction (5 mm/s)
- » AS2 = acoustic signal acc. „Protection class 2“
- » AS3 = acoustic signal acc. „Protection class 3“
- » SKS = connection for closing edge protection (anti-trap protection strip or optical sensor)
- » Longer cable per additional 2.5 m
- » Special RAL colour

- » „Open indication“ and „Closed indication“ can optionally be generated with the module ERM 44, or read-out directly via ACB with a Bus capable control panel.

Compatibility / Sets

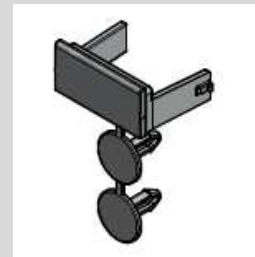
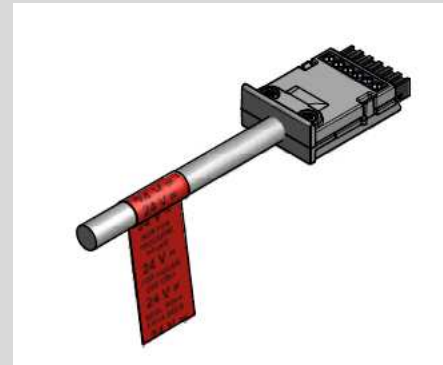
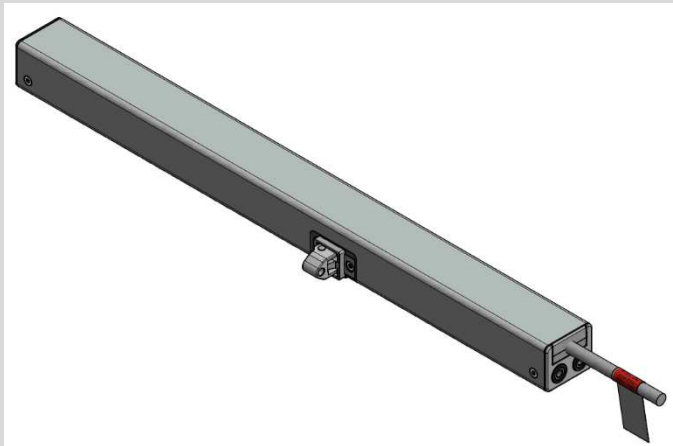
- » The CDC-0252-1-ACB is compatible with all D+H BSY+ locking drives.
- » The CDC-0252-1-ACB is compatible with all current CDC bracket sets.
- » The CDC-0252-1-ACB is compatible with module ERM 44.
- » The CDC-0252-1-ACB is compatible with the BI-BT2 (Data a./ Data b.)
- » Up to 600 mm stroke the CDC-0252-1-ACB has identical dimension like the CDC 200. This allows an exchange with existing bracket sets.
- » CDC-0252-1-ACB sets can be put together when using the single drives with the coding M2 (Master 2) and S1 (Slave 1).

Sales Release

CDC-0252-1-ACB

Scope of supply CDC-0252-1-ACB

- » 1 x CDC-0252-1-ACB
- » 1 x 2.5 m silicone connection cable
- » 1 x connection plug
- » 1 x CDC caps
- » 1 x Original operating instruction



Spare parts CDC-0252-1-ACB

- » The following spare parts are available for the CDC-0252-1-ACB:
- » Silicone connection cable 2.5 m (SR/WH/BK) single
- » Tube cover incl. caps (SR/WH/BK) of 5 pieces

Planning data / Sales information

- » 2D CAD data available at „myD+H“ in the category „CAD drawings“
- » 3D models available at www.bimobject.com
- » Tender document texts and product information are available at “myD+H”

Sales Release

CDC-0252-1-ACB

CDC-0252-1-ACB

© 2016 D+H Mechatronic AG

Created: PM / August 2016

Pricelist - Drives

Article no.	Type	Description	Price
26.100.05	CDC-0252-0350-1-ACB M1-R	ACB chain drive 24 V, 250 N / 350 mm, Master 1, right version	230.00 €
26.100.10	CDC-0252-0350-1-ACB M1-L	ACB chain drive 24 V, 250 N / 350 mm, Master 1, left version	230.00 €
26.100.06	CDC-0252-0350-1-ACB M2-R	ACB chain drive 24 V, 250 N / 350 mm, Master 2, right version	230.00 €
26.100.11	CDC-0252-0350-1-ACB S1-L	ACB chain drive 24 V, 250 N / 350 mm, Slave 1, left version	230.00 €
26.100.55	CDC-0252-0500-1-ACB M1-R	ACB chain drive 24 V, 250 N / 500 mm, Master 1, right version	246.50 €
26.100.60	CDC-0252-0500-1-ACB M1-L	ACB chain drive 24 V, 250 N / 500 mm, Master 1, left version	246.50 €
26.100.56	CDC-0252-0500-1-ACB M2-R	ACB chain drive 24 V, 250 N / 500 mm, Master 2, right version	246.50 €
26.100.61	CDC-0252-0500-1-ACB S1-L	ACB chain drive 24 V, 250 N / 500 mm, Slave 1, left version	246.50 €
26.101.05	CDC-0252-0600-1-ACB M1-R	ACB chain drive 24 V, 250 N / 600 mm, Master 1, right version	257.50 €
26.101.10	CDC-0252-0600-1-ACB M1-L	ACB chain drive 24 V, 250 N / 600 mm, Master 1, left version	257.50 €
26.101.06	CDC-0252-0600-1-ACB M2-R	ACB chain drive 24 V, 250 N / 600 mm, Master 2, right version	257.50 €
26.101.11	CDC-0252-0600-1-ACB S1-L	ACB chain drive 24 V, 250 N / 600 mm, Slave 1, left version	257.50 €
26.102.05	CDC-0252-0800-1-ACB M1-R	ACB chain drive 24 V, 250 N / 800 mm, Master 1, right version	279.50 €
26.102.10	CDC-0252-0800-1-ACB M1-L	ACB chain drive 24 V, 250 N / 800 mm, Master 1, left version	279.50 €
26.102.06	CDC-0252-0800-1-ACB M2-R	ACB chain drive 24 V, 250 N / 800 mm, Master 2, right version	279.50 €
26.102.11	CDC-0252-0800-1-ACB S1-L	ACB chain drive 24 V, 250 N / 800 mm, Slave 1, left version	279.50 €
26.100.00	CDC-1-ACB	ACB chain drive 24 V, custom made (base price)	230.00 €
		Addressing Master	0.00 €
		Addressing Slave	0.00 €
		• -Stroke 350 mm	0.00 €
		• -Stroke 500 mm	16.50 €
		• -Stroke 600 mm	27.50 €
		• -Stroke 700 mm	38.50 €
		• -Stroke 800 mm	49.50 €
		• -Stroke 900 mm	60.50 €
		• -Stroke 1000 mm	71.50 €
		• -Stroke 1100 mm	82.50 €
		• -Stroke 1200 mm	93.50 €
		• -Stroke 1300 mm	104.50 €
		• -L left version	0.00 €
		• -R right version	0.00 €
		• -Standard chain	0.00 €
		• -SBD side bow chain	10.00 €
		• -SBU side bow chain	10.00 €
		• -HV stroke shortening (50 mm)	47.00 €
		• -OA object-specific adaptation	151.00 €
		• -CP customized drive function programming	30.00 €
		• -HP stroke programming	8.00 €
		• -VP signal programming for connection with BSY+ locking drives	8.00 €
		• -KM strong motor gearbox	8.00 €
		• -LS low-speed-programming in CLOSE direction (5 mm/s)	8.00 €
		• -AS2 acoustic signal acc. „Protection class 2“	30.00 €
		• -AS3 acoustic signal acc. „Protection class 3“	30.00 €
		• -SKS connection for closing edge protection	23.00 €
		• -Longer cable per additional 2.5 m	8.00 €
		• -Special RAL colour*	25.00 €

Sales Release

CDC-0252-1-ACB

CDC-0252-1-ACB

Spare parts

30.009.65	AK-CDC-0252-1-ACB SR	Connection cable 2.5 m incl. plug-in adapter (SR)	32.00 €
30.009.69	AK-CDC-0252-1-ACB WH	Connection cable 2.5 m incl. plug-in adapter (WH)	32.00 €
30.009.73	AK-CDC-0252-1-ACB BK	Connection cable 2.5 m incl. plug-in adapter (BK)	32.00 €
26.990.13	Tub-deck CDC-0252 SR	Tube cover CDC incl. caps (SR) of 5 pieces	60.00 €
26.990.14	Tub-deck CDC-0252 WH	Tube cover CDC incl. caps (WH) of 5 pieces	60.00 €
26.990.12	Tub-deck CDC-0252 BK	Tube cover CDC incl. caps (BK) of 5 pieces	60.00 €
26.990.11	Tub-deck CDC-0252	Tube cover CDC special RAL colour* of 5 pieces	60.00 €

All prices are gross prices excluding VAT (price list)!

Given prices are valid until release of price list

* Special colour

Basic price for special powder coating is 50,- Euro net per colour and order. This basic price will be charged is based on special coating of drives and spare parts. For finishing the brackets with a special colour an additional charge of 50,-Euro net will be applied. ATTENTION: Slight differences in colour between finishing and powder coating are inevitable.

The prices apply exclusively to powder coating according to colour register RAL CLASSIC (colour cases RAL-K5). In case of powder coating with special colour, for example DB or NCS, additional costs will be charged according to expenditure.

© 2016 D+H Mechatronic AG

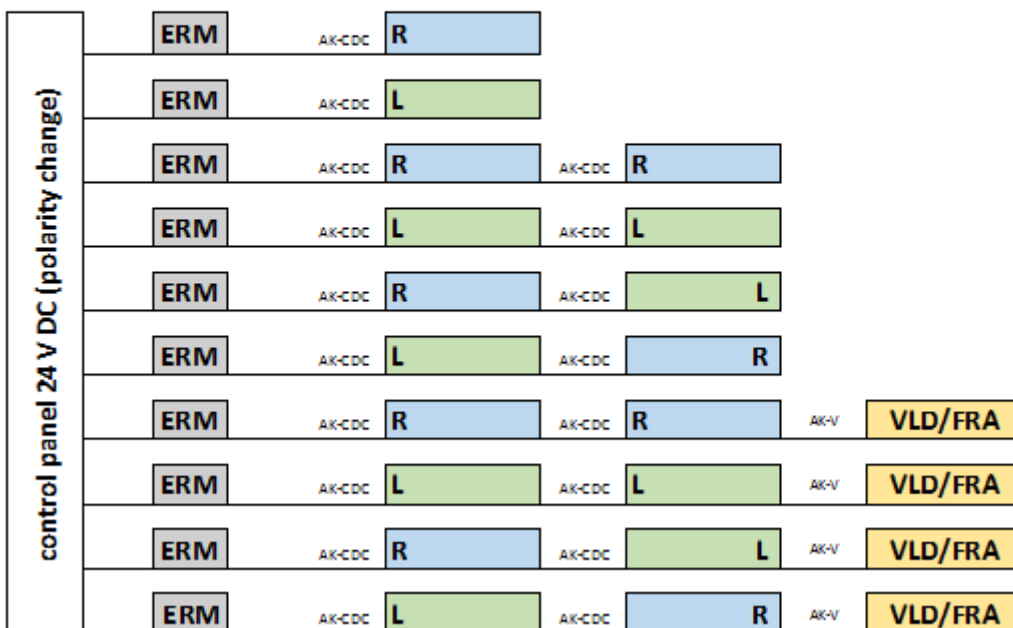
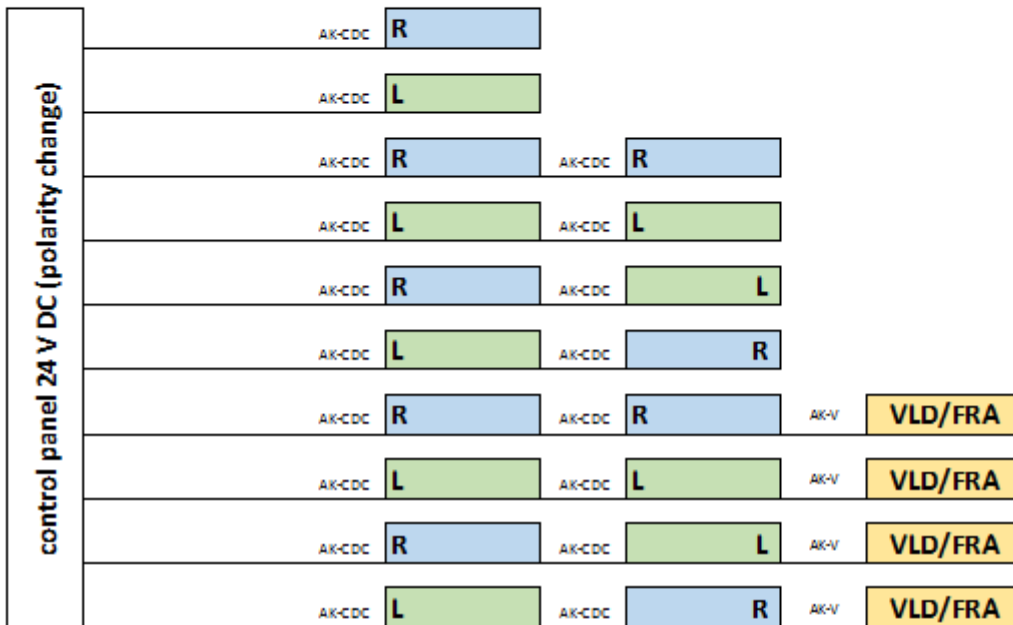
Created: PM / August 2016

CDC-0252-1-ACB possible combinations

Possible combinations of the CDC-0252-1-ACB with 24 V DC control panels (polarity change)

The following scheme shows possible combinations of the CDC-0252-1-ACB in right version and left version in combination with the module ERM (signal „OPEN“ / „CLOSE“)

- R** CDC-0252 right version (R = motor side)
- L** CDC-0252 left version (L = motor side)
- VLD/FRA** lock drive
- ERM** module ERM for signal "OPEN"/ "CLOSE"

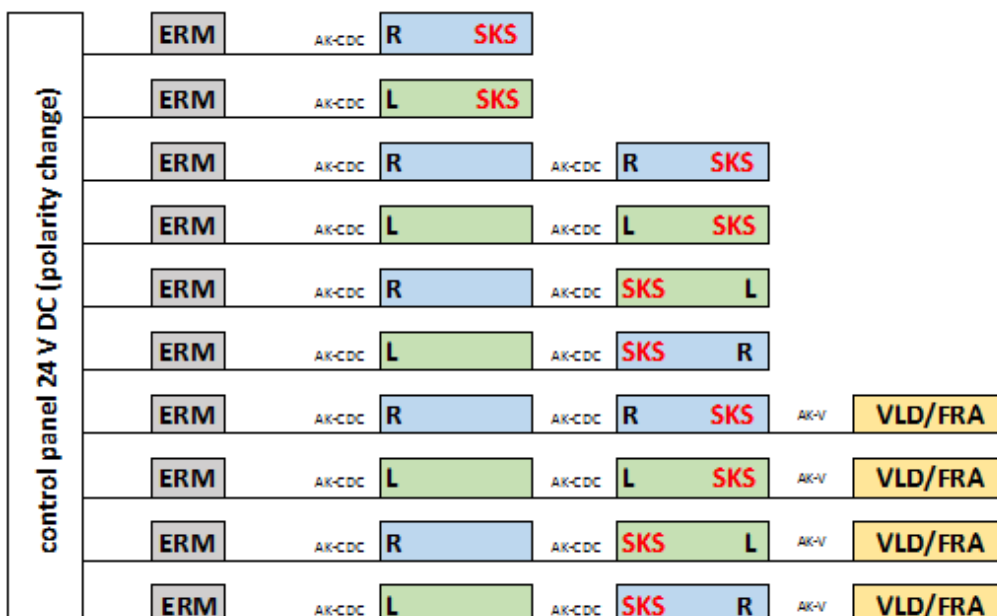
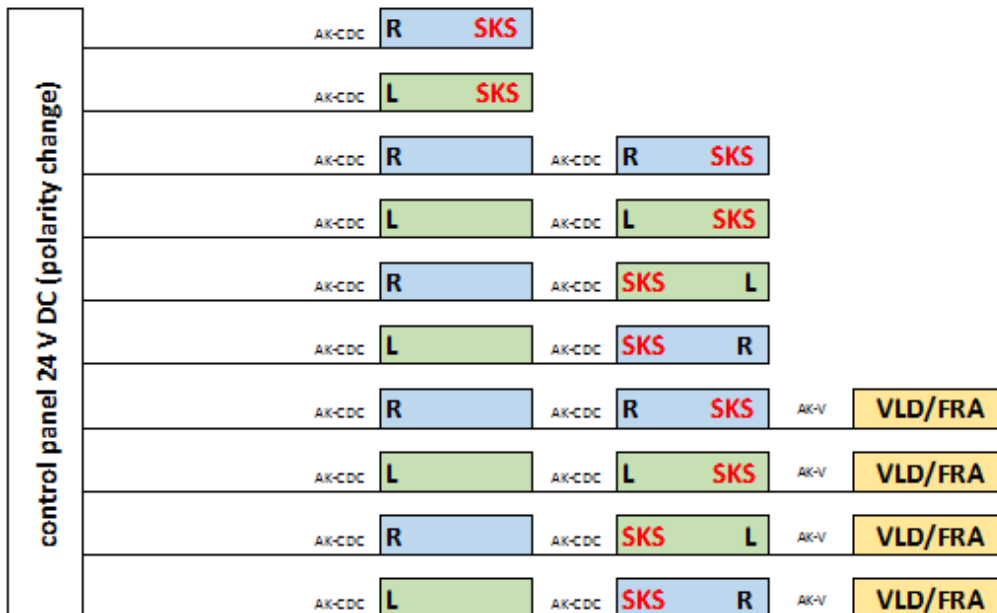


CDC-0252-1-ACB possible combinations

Possible combinations of the CDC-0252-1-ACB-SKS with 24 V DC control panels (polarity change)

The following scheme shows possible combinations of the CDC-0252-1-ACB in right version and left version in combination with the module ERM (signal „OPEN“ / „CLOSE“) and the option SKS (additional connection of a closing edge protection)

- R SKS** CDC-0252 right version - SKS at the chain side
- SKS R** CDC-0252 right version - SKS at the chain side
- L SKS** CDC-0252 left version - SKS at the chain side
- SKS L** CDC-0252 left version - SKS at the chain side



How long is actually the CDC-0252-1-ACB?

Overall length of the CDC-0252-1-ACB

- » The CDC-0252-1-ACB is offered with stroke length from 350 mm till 1300 mm.
- » Via the option HV a mechanical stroke shortening is possible (50 mm steps).

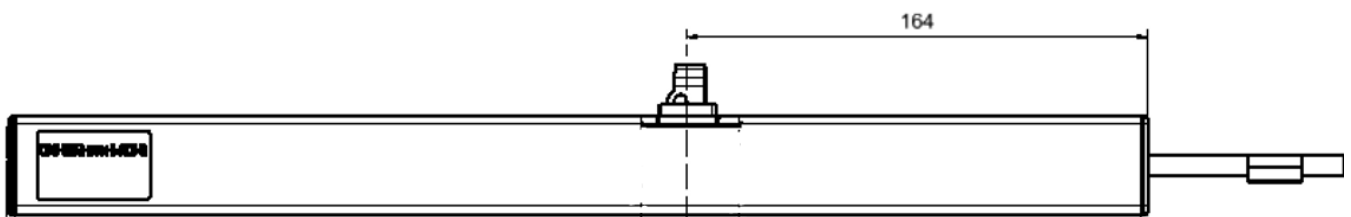
overall length

Dimension of the CDC-0252-1-ACB-HV

- » The length of the CDC-0252-0350-1-ACB is the shortest possible overall length.
- » The motor side with 164 mm is not changeable.

nominal stroke	overall length incl. cover
150 mm	405 mm
250 mm	405 mm
350 mm	405 mm
400 mm	435 mm
450 mm	455 mm
500 mm	485 mm
550 mm	510 mm
600 mm	530 mm
650 mm	560 mm
700 mm	585 mm
750 mm	605 mm
800 mm	635 mm
850 mm	655 mm
900 mm	685 mm
950 mm	710 mm
1000 mm	730 mm
1050 mm	760 mm
1100 mm	790 mm
1150 mm	805 mm
1200 mm	835 mm
1250 mm	855 mm
1300 mm	885 mm

© 2016 D+H Mechatronic AG



Created: PM / August 2016

What is the meaning of...?

Emission sound pressure level

Sound pressure level

What is this?

Emission sound pressure level at a work station (L_p)

- » Is a measure for a caused sound pressure level by a machine on the associated work station without retro-activity through the working area and without extraneous noise. This corresponds to the sound pressure level at the work station when the machine is positioned outdoors and in quiet surroundings (ideal case).

What does that mean for D+H?

- » The EC Machinery Directive 2006/42/EC requires the manufacturer or distributor of a machine to specify the outgoing noise emission in the operating instructions and sales brochures.

Why the declaration of ≤ 70 dB(A)?

- » With emission sound pressure levels up to 70 dB(A) the declaration " ≤ 70 dB(A)" is sufficient without quantifying the actual noise emission.

Are there any comparables?

- » Yes, there are:
 - » 70 dB(A) = vacuum cleaner at a distance of 1 m
 - » 60 dB(A) = normal voice at a distance of 1 m, office noise
 - » 50 dB(A) = conversation
 - » 40 dB(A) = close whispering, quiet residential road
 - » 30 dB(A) = ticking of a quiet clock, quiet bedroom at night

What is the meaning of „loud“?

- » Volume changes of 1dB can be noticed by humans under certain conditions; a level change of 10dB equates to a doubling or halving of the subjective perceived volume.

© 2016 D+H Mechatronic AG

Created: PM / August 2016

What is the meaning of...?

Emission sound pressure level

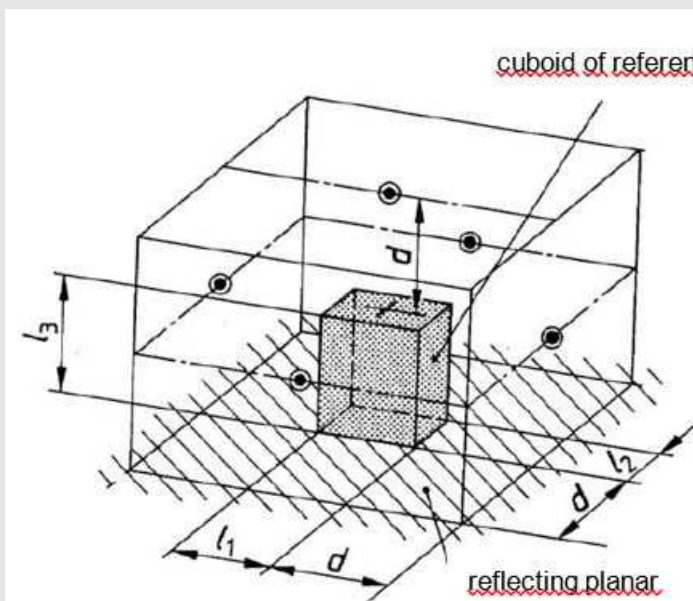
Sound pressure level

Validations by D+H

- » D+H already has conducted validations through acoustic specialists and will assign more.
- » For some of the D+H products measure values exist. These are specified in the respective instructions for use.

How are validations conducted?

- » There is one measuring surface with five measuring points for determining the sound power level. The measuring distance to the surface of the machine (reference plane: D+H drive) is usually determined with 1 m.
- » According to these results the emission sound pressure level can be calculated.



Example for a measuring surface with five measuring points for a small machine ($l_1 \leq d$, $l_2 \leq d$, $l_3 \leq 2d$) for determination the sound power level according to DIN EN ISO 3746.

Source: DIN EN ISO 3746

© 2016 D+H Mechatronic AG

Created: PM / August 2016